

LED Lamps

LED Lamps

Series LD

Series LD

Technical features

Head material: **Polycarbonate (PC) V0/UL 94**
 Base material: **Brass nickel plated**
 Protection degree: **IP40**
 Working temperature: **20°C +60°C**
 Operating life at AT 25°C: **> 100.000 h**
Not replaceable LEDs



Supply voltage +/- 10%

Power	Consumption	Current
6 Vac/dc	15-20mA	AC/DC
12 Vac/dc	15-20mA	AC/DC
28 Vac/dc	15-20mA	AC/DC
48 Vac/dc	15-20mA	AC/DC
130 = 110-130 Vac/dc	15-20mA	AC/DC
230 Vac/dc	10mA	AC/DC

Other power supplies on request



Integrated Rectifier Bridge to work in Alternating Current (AC) or Direct Current (DC), automatically (BA9s - E10 - MG - BA7s - BA15 - E14 only).



Optional Blinking Light (BA9s - E10 only).



Tropicalization treatment available on request (BA9s - E10 - BA15 - E14 only).



Lamp extractor. Compatible with: BA9s, BA7s, T5.5, T5.5k, MG

Customs tariff: **85389091**

DOMO reserves the right to change, amend, modify, suspend, continue or terminate all or any part of the Product range either in an individual case or in general, at any time without notice.

Compliance:

Directive 2006/95/EC Low Voltage
Directive 2004/108/EC Electromagnetic Compatibility
Directive 2011/65/EC RhOS
Directive 2006/42/EC Machinery

Conformity to standards:

EN 60947.5.1 / EN 60073 / EN 60529 / EN 60068-2-6 / EN 60204.1 / EN ISO 7731 / EN 981 / IEC 536



Series LD - BA9s and E10

High luminous intensity - Single chips - large angle - with bridge rectifier - no polarity

Connections

- BA9s** Bayonet Socket
- E10** Edison Screw Socket

Symbol and color

- R** Red
- G** Green
- Y** Yellow
- A** Amber
- B** Blue
- W** White

Bridge to work in AC or DC automatically without polarity

Product Code

LD BA9S R28 AC/DC TR

Extra Options

Power supply

AC/DC

- 6 Vac/dc - 48 Vac/dc
- 12 Vac/dc - 110-130 Vac/dc
- 28 Vac/dc - 230 Vac/dc

Options

- TR** Tropicalization
- LV GP** Low voltage glow protection
- B** Blinking Light (28V only)

Product range and dimensions

LD BA9S
Weight 2g



LD E10
Weight 2g



- Red
- Green
- Yellow
- Amber
- Blue
- White

- LD BA9S RVxx AC/DC
- LD BA9S GVxx AC/DC
- LD BA9S YVxx AC/DC
- LD BA9S AVxx AC/DC
- LD BA9S BVxx AC/DC
- LD BA9S WVxx AC/DC

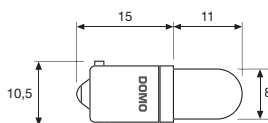
TR LV GP B (28V only)

- LD E10 RVxx AC/DC
- LD E10 GVxx AC/DC
- LD E10 YVxx AC/DC
- LD E10 AVxx AC/DC
- LD E10 BVxx AC/DC
- LD E10 WVxx AC/DC

TR LV GP B (28V only)

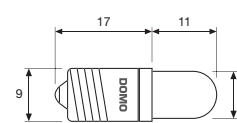
LD BA9S

Dimensions mm 1:2



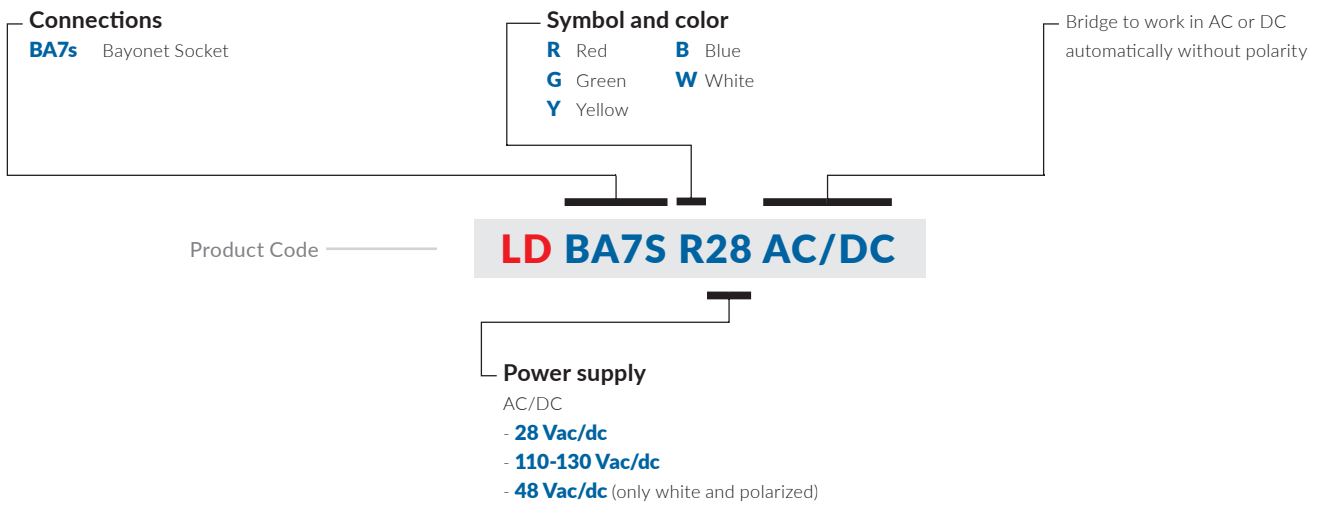
LD E10

Dimensions mm 1:2



Series LD - BA7s

High luminous intensity - Single chips - large angle - with bridge rectifier - no polarity



Product range and dimensions

LD BA7S
 Weight 1g



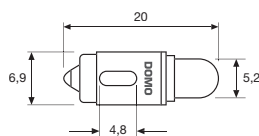
- Red
- Green
- Yellow
- Blue
- White

LD BA7S RVxx AC/DC
 LD BA7S GVxx AC/DC
 LD BA7S YVxx AC/DC
 LD BA7S BVxx AC/DC
 LD BA7S WVxx AC/DC

48V White only and polarized

LD BA7S

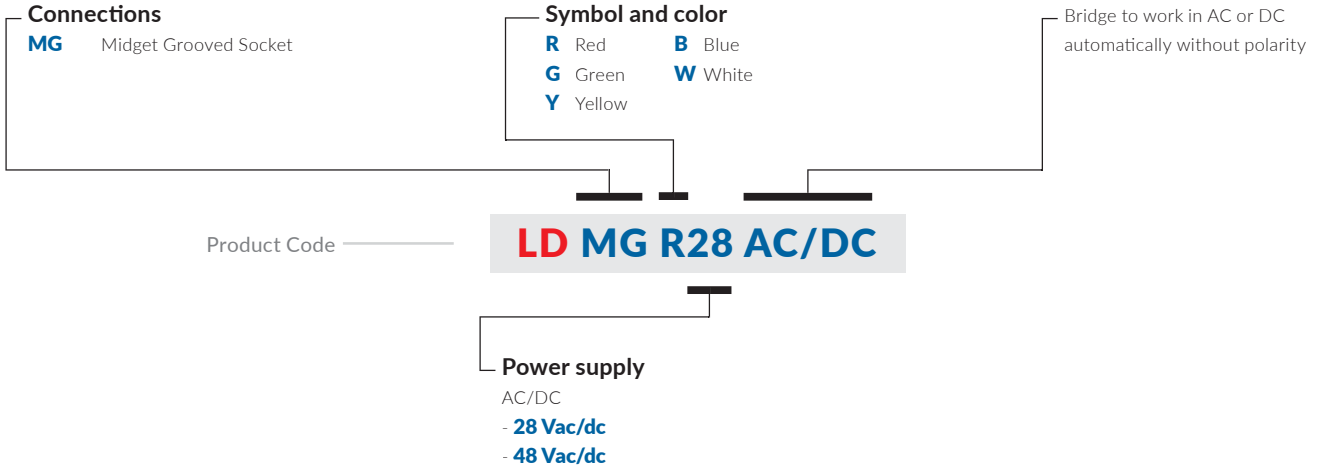
Dimensions mm 1:2





Series LD - Midget Grooved

High luminous intensity - Single chips - large angle - with bridge rectifier - no polarity



Product range and dimensions

LD MG Midget Grooved
Weight 1g

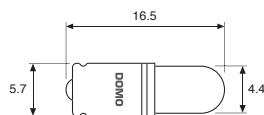


● Red	LD MG RVxx AC/DC
● Green	LD MG GVxx AC/DC
● Yellow	LD MG YVxx AC/DC
● Blue	-
○ White	-

48V Red, Green, Yellow only

LD MG

Dimensions mm 1:2



Series LD - T5,5 and T5,5K

High luminous intensity - Single chips - large angle

Connections

- 5,5** Telephone Socket
5,5k Telephone Socket

Power supply

- DC
 - **28 Vdc**
 - **48 Vdc**
 - **130 Vdc** (LD T5,5 only)

Product Code

LD T5,5 R28 PD

Symbol and color

- R** Red
G Green
Y Yellow
B Blue
W White

Product range and dimensions

LD T5,5
Weight 1g



LD T5,5K
Weight 1g



- Red
- Green
- Yellow
- Blue
- White

LD T5,5 RVxx PD
 LD T5,5 GVxx PD
 LD T5,5 YVxx PD
 LD T5,5 BVxx PD
 LD T5,5 WVxx PD

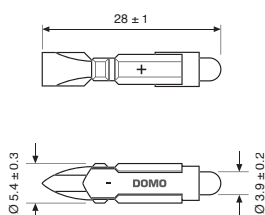
LD T5,5K RVxx PD
 LD T5,5K GVxx PD
 LD T5,5K YVxx PD
 LD T5,5K BVxx PD
 LD T5,5K WVxx PD

no 130V

LD T5,5

Dimensions mm 1:2

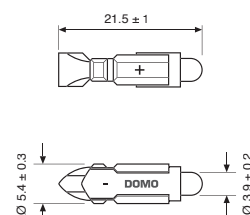
Polarized



LD T5,5K

Dimensions mm 1:2

Polarized



Attention! Please see product range section for the feasibility. Special version on request. DOMO Srl reserves the right to change, amend, modify, suspend, continue or terminate all or any part of the Product range either in an individual case or in general, at any time without notice.



Series LD - BA15 and E14

High luminous intensity - large angle - with bridge rectifier - no polarity

BA15d, BA15s and E14 Extra Bright Lamp (12 LED)

Connections

- BA15d** Bayonet Socket
- BA15s** Bayonet Socket
- E14** Edison Screw Socket

Power supply

- AC/DC
 - **28 Vac/dc**
 - **48 Vac/dc**
 - **110-130 Vac/dc**
- Alternating Current
- **240 Vac**

Product Code

LD BA15d R28 TR

Extra Options

Symbol and color

- R** Red
- G** Green
- Y** Yellow
- A** Amber
- B** Blue
- W** White

Options

- TR** Tropicalization

Product range and dimensions



Used inside Stack Light
compact and assembled

LD BA15d - LD BA15s
Weight 10g



LD E14
Weight 10g

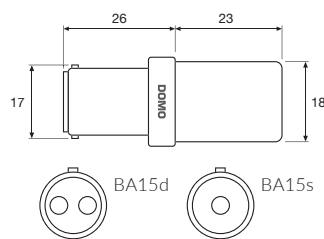


● Red	LD BA15d RVxx	LD BA15s RVxx	LD E14 RVxx
● Green	LD BA15d GVxx	LD BA15s GVxx	LD E14 GVxx
● Yellow	LD BA15d YVxx	LD BA15s YVxx	LD E14 YVxx
● Amber	LD BA15d AVxx	LD BA15s AVxx	LD E14 AVxx
● Blue	LD BA15d BVxx	LD BA15s BVxx	LD E14 BVxx
○ White	LD BA15d WVxx	LD BA15s WVxx	LD E14 WVxx



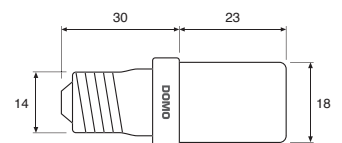
LD BA15d - LD BA15s

Dimensions mm 1:2



LD E14

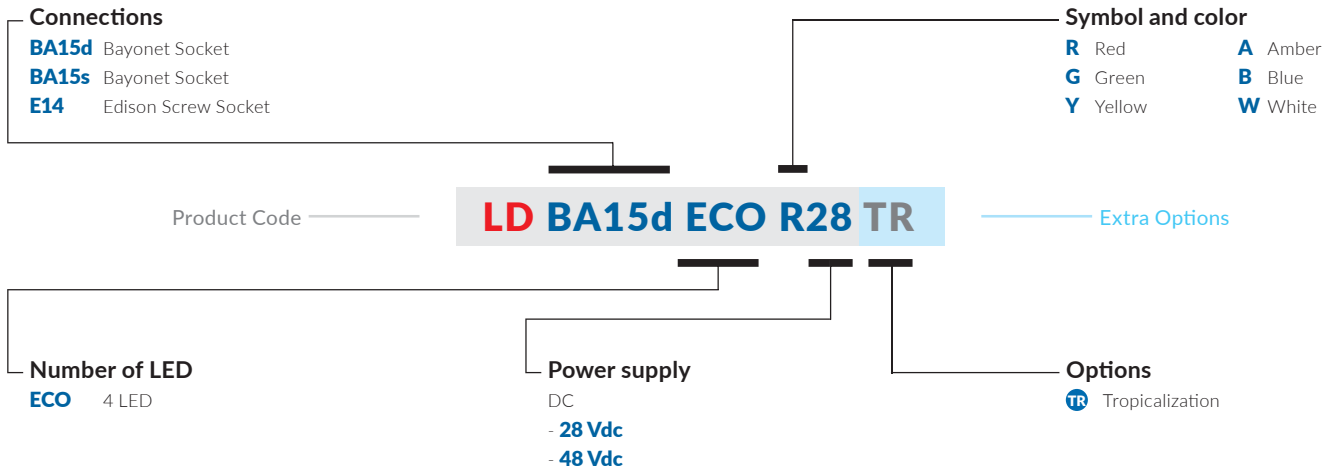
Dimensions mm 1:2



Series LD - BA15 and E14

High luminous intensity - large angle

BA15d ECO, BA15s ECO and E14 ECO Lamp (4 LED)



Product range and dimensions



Cemetery application

LD BA15d ECO - LD BA15s ECO
Weight 7g



LD E14 ECO
Weight 7g

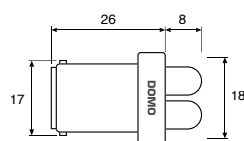


● Red	LD BA15d ECO RVxx	LD BA15s ECO RVxx	LD E14 ECO RVxx
● Green	LD BA15d ECO GVxx	LD BA15s ECO GVxx	LD E14 ECO GVxx
● Yellow	LD BA15d ECO YVxx	LD BA15s ECO YVxx	LD E14 ECO YVxx
● Amber	LD BA15d ECO AVxx	LD BA15s ECO AVxx	LD E14 ECO AVxx
● Blue	LD BA15d ECO BVxx	LD BA15s ECO BVxx	LD E14 ECO BVxx
○ White	LD BA15d ECO WVxx	LD BA15s ECO WVxx	LD E14 ECO WVxx



LD BA15d - LD BA15s ECO

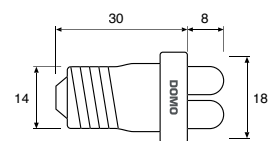
Dimensions mm 1:2



Polarized

LD E14 ECO

Dimensions mm 1:2



Polarized

Attention! Please see product range section for the feasibility. Special version on request. DOMO Srl reserves the right to change, amend, modify, suspend, continue or terminate all or any part of the Product range either in an individual case or in general, at any time without notice.

Comparative table



Series	SFT	SLT	CR	PI	ML	VEB	PHR	
	Sferical	Sferical	Semaphore	Position	Multiled	Extrabright	Beacon	
Page	12	12	26	26	50	64	74	
Function								
Indicator	•	•	•	•	•	•	•	
Buzzer								
Pushbutton								
double pushbutton								
illuminated pushbutton								
Emergency mushroom								
Keylock switch								
selector switch								
Emergency for safety								
Design								
Protruding	•	•	•	•	•	•	•	
Flushmounting			•	•				
Round	•	•	•	•	•	•	•	
Square			•	•	•			
Rectangular								
Front protection (internal test)								
IP40					•			
IP54	•	•	•	•	•		•	
IP65					•	•		
IP67								
Contact rating								
10A								
5A								
Mounting Cut-out								
Ø8								
Ø12								
Ø16	•		•	•		•	•	
Ø22	•	•	•	•	•	•	•	
Terminal								
Faston 2,8x0,8	•	•	•	•	•	•	•	
Faston 2,8x0,5								
Screw	•	•	•	•	•	•	•	
Push-in (future)	F	F	F	F	F	F	F	
BA9s, Ba7s, E10, MG, BA15d, BA15s, E14								
Marking								
Paint, Engraving, Film insert				•	•			
Option								
Lamp Test (LT)	•	•	•	•	•			
Inbuilt Diode to avoid reverse feeding (PD)	•	•	•	•	•			
Tropicalization (TR)	•	•	•	•	•	•	•	
Double input + double lamp test (2C+2LT)			•					
Low voltage glow protection (LVGP)	F	F	F	F	F	F	F	
RGB color		•						
Compatible for DOMO Mosaic Mimic								
Protruding	•	•	•	•	•	•	•	
Flushmounting			•	•	•			

F = Future

